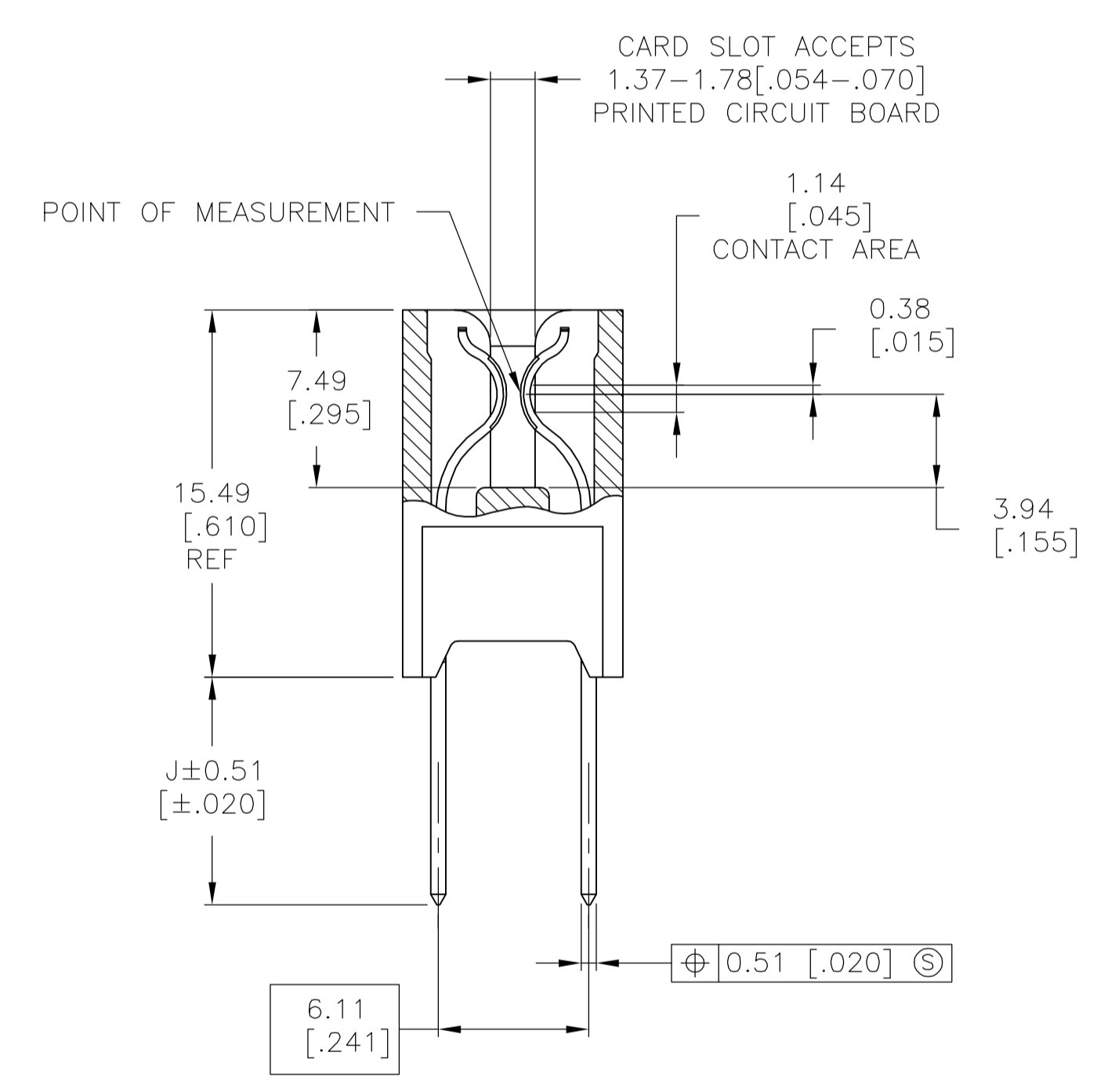
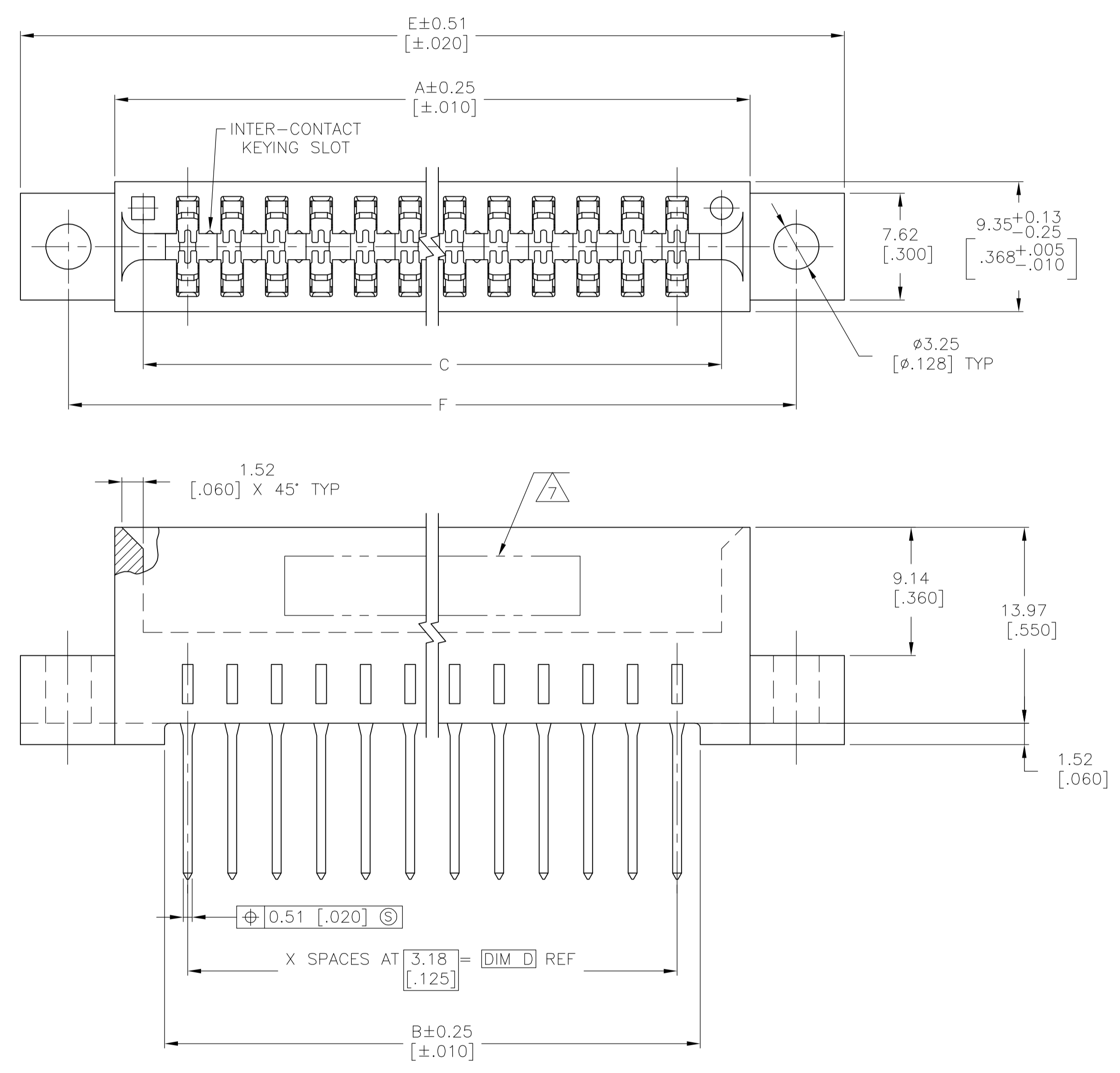


- 1 HOUSING: GLASS FILLED POLYESTER; COLOR: BLACK.
- 2 CONTACT: PHOSPHOR BRONZE.
- 3 NICKEL UNDERPLATE: 0.00127 [.000050] MIN - ALL OVER.
- 4 TIN-LEAD PLATE: 0.00254 [.000100] MIN - SOLDER POSTS.
- 5 GOLD PLATE: 0.00076 [.000030] MIN - CONTACT AREA.
- 6 NICKEL PLATE PER MIL-C-45204.  
GOLD PLATE PER QQ-N-290.
- 7 AMP PART NUMBER AND DATE CODE ARE MARKED IN APPROXIMATE AREA SHOWN, EITHER SIDE.
- 8. RECOMMENDED PCB FINISHED HOLE DIA, 1.07±0.08 [.042±.003].
- 9 MATTE TIN PLATE: 0.00254 [.000100] MIN - SOLDER POSTS.



THIS DRAWING IS A CONTROLLED DOCUMENT.		DWG R. SHIREY/UTA	5-11-91		Tyco Electronics Corporation Harrisburg, Pa 17105-3608	
DIMENSIONS: mm [INCHES]		CHK J. DIORAZIO	8-10-92		APVD J. DIORAZIO	8-10-92
TOLERANCES UNLESS OTHERWISE SPECIFIED:		0 PLC ± -		PRODUCT SPEC		
		1 PLC ± -		108-9039		
		2 PLC ± 0.13 [.005]		APPLICATION SPEC		
		3 PLC ± -		SIZE		
		4 PLC ± -		CAGE CODE		
		ANGLES ± -		DRAWING NO		
MATERIAL		FINISH		WEIGHT		
HOUSING: Δ		CONTACT: Δ Δ Δ Δ		A1 00779 C=530842		
CONTACT: Δ				CUSTOMER DRAWING		
				SCALE	SHEET	REV
				4:1	1 OF 2	U

	4.75	102.74	109.35	85.72	92.08	89.03	96.14	27	28	$\triangle_{10}$	6-530842-7
	[.187]	[4.045]	[4.305]	[3.375]	[3.625]	[3.505]	[3.785]				
	3.18	172.59	179.20	155.58	161.92	158.88	165.99	49	50	$\triangle_{10}$	6-530842-1
	[.125]	[6.795]	[7.055]	[6.125]	[6.375]	[6.255]	[6.535]				
OBSOLETE	-	-	-	-	-	-	-	-	44		5-530842-4
OBSOLETE	-	-	-	-	-	-	-	-	44		5-530842-3
OBSOLETE	-	-	-	-	-	-	-	-	60		5-530842-2
OBSOLETE	-	-	-	-	-	-	-	-	60		5-530842-1
OBSOLETE	-	-	-	-	-	-	-	-	60		5-530842-0
OBSOLETE	-	-	-	-	-	-	-	-	60		4-530842-9
OBSOLETE	-	-	-	-	-	-	-	-	35		4-530842-8
OBSOLETE	-	-	-	-	-	-	-	-	35		4-530842-7
OBSOLETE	-	-	-	-	-	-	-	-	50		4-530842-6
OBSOLETE	-	-	-	-	-	-	-	-	43		4-530842-5
OBSOLETE	-	-	-	-	-	-	-	-	40		4-530842-4
OBSOLETE	-	-	-	-	-	-	-	-	36		4-530842-3
OBSOLETE	-	-	-	-	-	-	-	-	30		4-530842-2
OBSOLETE	4.75	102.74	109.35	85.72	92.08	89.03	96.14	27	28		4-530842-1
	[.187]	[4.045]	[4.305]	[3.375]	[3.625]	[3.505]	[3.785]				
	J	F	E	D	C	B	A	X	NO OF POSN.		PART NUMBER

OBSOLETE	-	-	-	-	-	-	-	-	22		4-530842-0
OBSOLETE	-	-	-	-	-	-	-	-	18		3-530842-9
OBSOLETE	-	-	-	-	-	-	-	-	15		3-530842-8
OBSOLETE	-	-	-	-	-	-	-	-	10		3-530842-7
OBSOLETE	-	-	-	-	-	-	-	-	6		3-530842-6
OBSOLETE	3.18	172.59	179.20	155.58	161.92	158.88	165.99	49	50		3-530842-5
	[.125]	[6.795]	[7.055]	[6.125]	[6.375]	[6.255]	[6.535]				
OBSOLETE	-	-	-	-	-	-	-	-	43		3-530842-4
OBSOLETE	-	-	-	-	-	-	-	-	40		3-530842-3
OBSOLETE	-	-	-	-	-	-	-	-	36		3-530842-2
OBSOLETE	-	-	-	-	-	-	-	-	30		3-530842-1
OBSOLETE	3.18	102.74	109.35	85.72	92.08	89.03	96.14	27	28		3-530842-0
	[.125]	[4.045]	[4.305]	[3.375]	[3.625]	[3.505]	[3.785]				
OBSOLETE	-	-	-	-	-	-	-	-	22		2-530842-9
OBSOLETE	-	-	-	-	-	-	-	-	18		2-530842-8
OBSOLETE	3.18	61.47	68.07	44.45	50.80	47.75	54.86	14	15		2-530842-7
	[.125]	[2.420]	[2.680]	[1.750]	[2.000]	[1.880]	[2.160]				
OBSOLETE	-	-	-	-	-	-	-	-	10		2-530842-6
OBSOLETE	-	-	-	-	-	-	-	-	6		2-530842-5
OBSOLETE	-	-	-	-	-	-	-	-	35		2-530842-4
OBSOLETE	-	-	-	-	-	-	-	-	35		2-530842-3
OBSOLETE	4.75	172.59	179.20	155.98	161.92	158.88	165.99	49	50		2-530842-2
	[.187]	[6.795]	[7.055]	[6.125]	[6.375]	[6.255]	[6.535]				
OBSOLETE	-	-	-	-	-	-	-	-	43		2-530842-1
OBSOLETE	-	-	-	-	-	-	-	-	40		2-530842-0
OBSOLETE	4.75	128.14	134.75	111.12	117.48	114.43	121.54	35	36		1-530842-9
	[.187]	[5.045]	[5.305]	[4.375]	[4.625]	[4.505]	[4.785]				
OBSOLETE	-	-	-	-	-	-	-	-	30		1-530842-8
	4.75	102.74	109.35	85.72	92.08	89.03	96.14	27	28		1-530842-7
	[.187]	[4.045]	[4.305]	[3.375]	[3.625]	[3.505]	[3.785]				
OBSOLETE	4.75	83.69	90.30	66.68	73.02	69.98	77.09	21	22		1-530842-6
	[.187]	[3.295]	[3.555]	[2.625]	[2.875]	[2.755]	[3.035]				
OBSOLETE	-	-	-	-	-	-	-	-	18		1-530842-5
OBSOLETE	-	-	-	-	-	-	-	-	15		1-530842-4
OBSOLETE	-	-	-	-	-	-	-	-	10		1-530842-3
OBSOLETE	-	-	-	-	-	-	-	-	6		1-530842-2
	3.18	172.59	179.20	155.58	161.92	158.88	165.99	49	50		1-530842-1
	[.125]	[6.795]	[7.055]	[6.125]	[6.375]	[6.255]	[6.535]				
OBSOLETE	-	-	-	-	-	-	-	-	43		1-530842-0
OBSOLETE	-	-	-	-	-	-	-	-	40		530842-9
OBSOLETE	-	-	-	-	-	-	-	-	36		530842-8
OBSOLETE	-	-	-	-	-	-	-	-	30		530842-7
OBSOLETE	-	-	-	-	-	-	-	-	28		530842-6
OBSOLETE	-	-	-	-	-	-	-	-	22		530842-5
OBSOLETE	-	-	-	-	-	-	-	-	18		530842-4
OBSOLETE	-	-	-	-	-	-	-	-	15		530842-3
OBSOLETE	-	-	-	-	-	-	-	-	10		530842-2
OBSOLETE	-	-	-	-	-	-	-	-	6		530842-1
	J	F	E	D	C	B	A	X	NO OF POSN.		PART NUMBER

THIS DRAWING IS A CONTROLLED DOCUMENT.

DIMENSIONS: mm [INCHES]

TOLERANCES UNLESS OTHERWISE SPECIFIED:

0 PLC	± .01
1 PLC	± .01
2 PLC	± 0.13 [.005]
3 PLC	± .01
4 PLC	± .01
ANGLES	± .01

MATERIAL HOUSING:  $\triangle$  CONTACT:  $\triangle$

FINISH:  $\triangle$   $\triangle$   $\triangle$   $\triangle$

APPROVED: J. DIORAZIO

DATE: 8-10-92

PRODUCT SPEC: 108-9039

APPLICATION SPEC: -

SIZE: A1

SCALE: 4:1

REVISIONS: 5-11-91 R. SHIREY/UTA 8-10-92 J. DIORAZIO

TYCO Electronics Tyco Electronics Corporation Harrisburg, Pa 17105-3608

CONNECTOR ASSEMBLY, STANDARD EDGE II, 3.18 [.125] CL

WEIGHT: -

CUSTOMER DRAWING

SCALE: 4:1 SHEET 2 OF 2 REV U